



AMW-1321AX

Industrial Stainless Steel NEMA 4X / IP66 Wi-Fi Mobile Operator Terminal Stations by Computer Cart Style

Features

- 21.5" Active Matrix TFT LCD Display
- Native Resolution at 1920 x 1080
- Intel Celeron J1900 @ 1.99GHz / Atom E3845 @ 1.91GHz CPU; Intel i7-6600U CPU
- Up to 8GB DDR3 / Up to 16GB DDR4 SO-DIMM
- Wi-Fi Module Included
- Battery Option
- Projected Capacitive Touchscreen
- NEMA 4X / IP66 Stainless Steel Fully Closed Enclosure
- Waterproof Keyboard and Pointing Device
- ThinManager Ready Version Available
- Three Keyboard Options

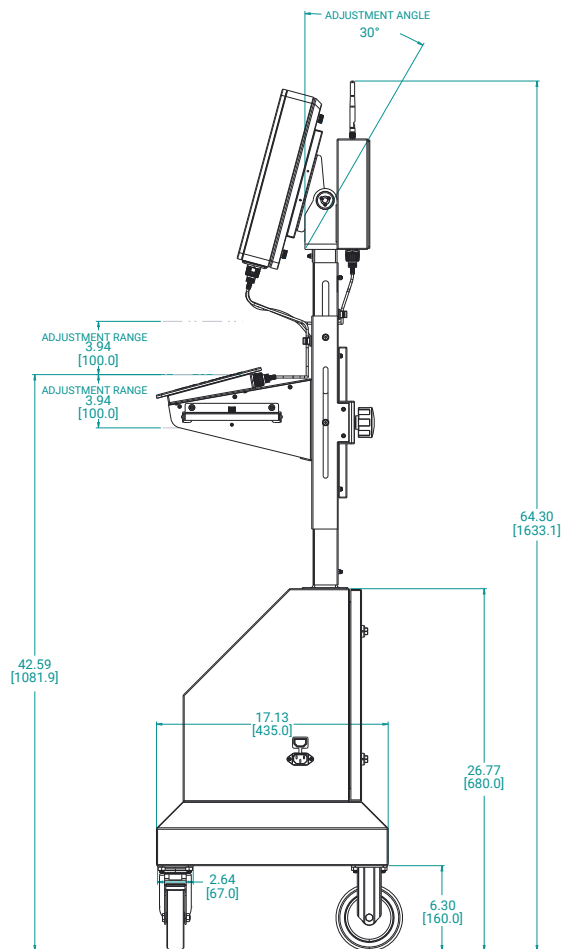
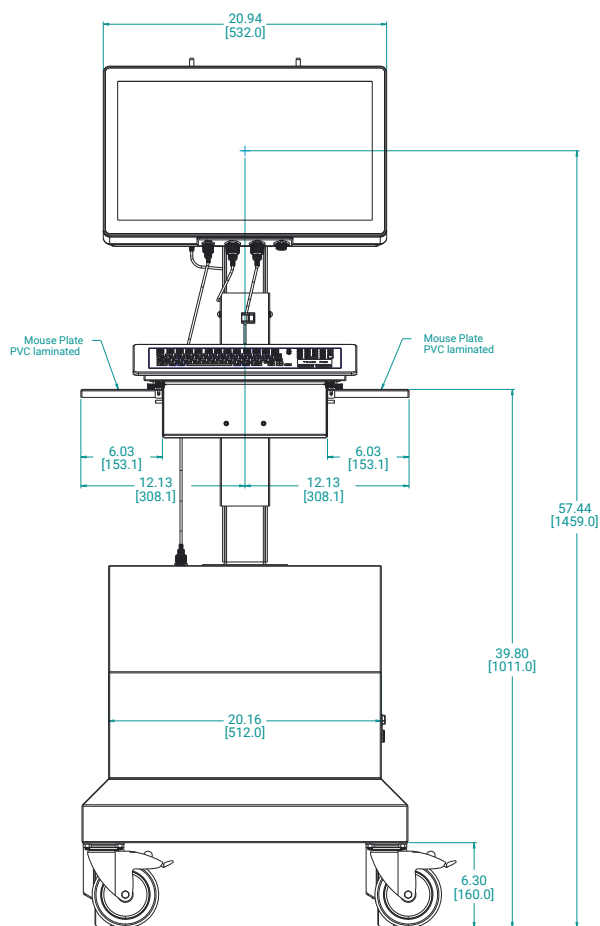
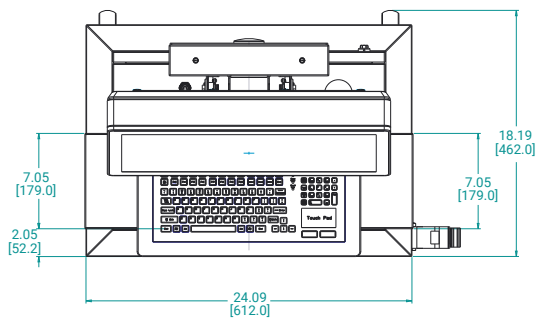
Specifications

Model Name	AMW-1321AX	
	E01	H01
LCD Display		
Display Size (Diagonal)	21.5 inch	21.5 inch
Max Resolution	1920 x 1080	1920 x 1080
Backlight Lifetime (Hours)	50,000 hours	50,000 hours
Visual Characteristics		
Colors	16.7 million	16.7 million
Aspect Ratio	16:9	16:9
Viewing Angle (V/H)	178° / 178°	178° / 178°
Contrast Ratio	1000:1	1000:1
Brightness	250 nits	250 nits
Touch Screen		
Technology	Projected Capacitive	Projected Capacitive
Interface	USB	USB
Driver	Windows 7, Windows 10	Windows 10
System		
CPU	Intel Celeron J1900 @ 1.99GHz / Atom E3845 @ 1.91GHz CPU	Intel i7-6600U CPU
Chipset	Bay Trail	Skylake
Memory	Up to 8GB DDR3 SO-DIMM	Up to 16GB DDR4 SO-DIMM
Video Controller	Intel Gen7 Intel Graphics DX 11, OGL3.2	Intel HD Graphics 520
External Video Output	N/A	N/A
Storage Option	2.5" SSD	2.5" SSD
CFast	Optional	Optional
Keyboard	Membrane or Silicon Rubber Keyboard	Membrane or Silicon Rubber Keyboard
Mouse	Pointing Device or Touch Pad	Pointing Device or Touch Pad
Audio	N/A	N/A
Watchdog Timer	Programmable 1 - 255 sec	Programmable 1 - 255 sec
Remote Boot	ThinManager Ready, PXE	N/A
Expansion Slot	N/A	N/A
I/O Communication		
USB Port	1 x USB 2.0	1 x USB 2.0
Serial Port	N/A	N/A
IEEE 1394	N/A	N/A
LAN / Wi-Fi	Wi-Fi	Wi-Fi
Parallel	N/A	N/A
GPIO	N/A	N/A
Smart Battery		
Internal Battery	Optional 1024 W/h Lithium Battery	Optional 1024 W/h Lithium Battery
OS Support		
OS Support	Windows 7, Windows 10	Windows 10
Power/Thermal Specs		
Power Requirement (Max)	110VAC~220VAC	110VAC~220VAC
Power Consumption (Average)	47W (Without Charging)	60W (Without Charging)
Recommended Power Supply	Included	Included
Heat Dissipation (Average)	160 BTU/hr	205 BTU/hr
Physical Information		
Mounting	N/A	N/A
Net Weight	--	--
Dimension (WxHxD)	24.09 x 57.44 x 18.19 inch 612.0 x 1459.0 x 462.0 mm	24.09 x 57.44 x 18.19 inch 612.0 x 1459.0 x 462.0 mm
IP/MENA Rating	Meets NEMA 4X / IP66	Meets NEMA 4X / IP66
Environmental		
Operation Temperature	0~35°C (32~95°F)	0~35°C (32~95°F)
Storage Temperature	-20~60°C (-4~140°F)	-20~60°C (-4~140°F)
Relative Humidity	0~95%	0~95%

Dimension Drawing

Model Name: AMW-1321AX-E01

Size Unit: inch(mm)



Ordering Information

Item	AMW-1321AX E01-007-001A	AMW-1321AX-H01-035-701A
LCD Display	21.5" LCD / 1920 x 1080	21.5" LCD / 1920 x 1080
Touch Screen	Projected Capacitive	Projected Capacitive
Enclosure	316L Stainless Steel	316L Stainless Steel
CPU	Intel Celeron J1900 @ 1.99GHz / Atom E3845 @ 1.91GHz CPU	2.6/3.4 GHz i7 6600U
Memory	4GB DDR3	16GB DDR4
Storage	N/A	2.5" SATA SSD
Wi-Fi	Wi-Fi Module	Wi-Fi Module
Keyboard Option	KB-115A-AX	KB-115A-AX
Remote Boot	ThinManager Ready	N/A
Operating System	N/A	Optional
1024A/h Battery	Optional	Optional
Power Supply	110/220VAC Input	110/220VAC Input

Item	AMW-1321AX E01-007-001B	AMW-1321AX-H01-035-701B
LCD Display	21.5" LCD / 1920 x 1080	21.5" LCD / 1920 x 1080
Touch Screen	Projected Capacitive	Projected Capacitive
Enclosure	316L Stainless Steel	316L Stainless Steel
CPU	Intel Celeron J1900 @ 1.99GHz / Atom E3845 @ 1.91GHz CPU	2.6/3.4 GHz i7 6600U
Memory	4GB DDR3	16GB DDR4
Storage	N/A	2.5" SATA SSD
Wi-Fi	Wi-Fi Module	Wi-Fi Module
Keyboard Option	KB-115B-AX	KB-115B-AX
Remote Boot	ThinManager Ready	N/A
Operating System	N/A	Optional
1024A/h Battery	Optional	Optional
Power Supply	110/220VAC Input	110/220VAC Input

Item	AMW-1321AX E01-007-001C	AMW-1321AX-H01-035-701C
LCD Display	21.5" LCD / 1920 x 1080	21.5" LCD / 1920 x 1080
Touch Screen	Projected Capacitive	Projected Capacitive
Enclosure	316L Stainless Steel	316L Stainless Steel
CPU	Intel Celeron J1900 @ 1.99GHz / Atom E3845 @ 1.91GHz CPU	2.6/3.4 GHz i7 6600U
Memory	4GB DDR3	16GB DDR4
Storage	N/A	2.5" SATA SSD
Wi-Fi	Wi-Fi Module	Wi-Fi Module
Keyboard Option	KB-115C-AX	KB-115C-AX
Remote Boot	ThinManager Ready	N/A
Operating System	N/A	Optional
1024A/h Battery	Optional	Optional
Power Supply	110/220VAC Input	110/220VAC Input